

Lifegard® Utility Pump

INSTRUCTIONS

Safety Standards

- ◆ **WARNING** – To reduce the risk of electric shock, use only on portable self-contained fountains no larger than 5 feet in any dimension.
- ◆ **WARNING** – To reduce risk of electric shock, connect only to a properly grounded, grounding type receptacle.
- ◆ **CAUTION** – This pump has been designed for use with water only.
- ◆ **WARNING** – Risk of electric shock – this pump has not been investigated for use in swimming pool or marine areas.
- ◆ **WARNING** – To reduce the risk of electric shock, install only on a circuit protected by a ground-fault circuit Interrupter (GFCI).
- ◆ Acceptable for indoor and outdoor use.
- ◆ Submersible Pump.
- ◆ Make sure the power cable is fully intact before connecting the pump to main power supply.
- ◆ Never replace or repair the power cable. Replace entire pump if damaged.
- ◆ **WARNING** – Make sure the pump is disconnected before performing any maintenance. If plug or main electrical socket is wet, disconnect the master switch before removing power cable.
- ◆ Ideally, extension cords should not be used. If necessary, make sure connection is completely sealed and that cable is suitable for external use and identical to that of the pump cable (in terms of insulation and section).
- ◆ Avoid lifting the pump by means of the power cable during installation and maintenance operations.
- ◆ The pump can be used in liquids with temperatures no greater than 95 degrees F.
- ◆ Keep these instructions in a safe place for future reference.
- ◆ Keep out of reach of children.

Use

The **Lifegard Utility Pump** is a submersible type, designed and built to pump cloudy fiber-free water, for domestic uses in fixed continuous use applications, for draining cellars and garages prone to flooding, for pumping drains, rainwater traps or gutters, etc.

The pump is provided with a carrying handle which may also be used to lower it into wells or deep holes (see Fig.1).

Attention

The pump must never be carried, lifted or made to operate hanging from its power cable. If the power cable is damaged in any way it must be replaced and not repaired.

Modifying or tampering with the pump will void warranty. If the bottom of the well in which the pump is to operate is particularly dirty, a support must be provided for the pump to sit on so as to avoid clogging.

Maintenance

The pump requires minimum servicing: it is sufficient to clean the impeller assembly. All repairs and maintenance jobs must be carried out only after having disconnected the pump from the main power supply. For this operation turn the clamping ring **A** to release the bottom cover **B**. Remove the bottom cover from the pump bottom. Slip off the impeller **C** complete with the permanent magnet, the motor shaft and rubber caps; wash each part with a powerful jet of water. Clean "O" ring **D** and make sure it is clean and in good condition. Reassemble the parts in the correct order (see Fig. 2).

When restarting the pump, ensure that the bottom cover is always fitted so as not create any risk or possibility of accidental contact with the moving parts.

Warranty

Lifegard Aquatics warrants to the original purchaser, this product to be free from defects in material or workmanship for a period of one year from the date of purchase, provided it is operated in accordance with factory instructions and operated within the environment and limitations for which it is designed. Lifegard will not be liable for any labor cost of removing or replacing component parts. This shall be the responsibility of the original purchaser as will be shipping charges to and from the Lifegard facility. Damage incurred by improper repackaging or in shipping is not covered by this warranty. Lifegard will only be responsible for repair or replacement of any of its products or parts that are found to be defective and will not bear cost of any incidental or consequential damages arising out of the occurrence of such defect. This warranty gives you specific legal rights that vary from state to state.

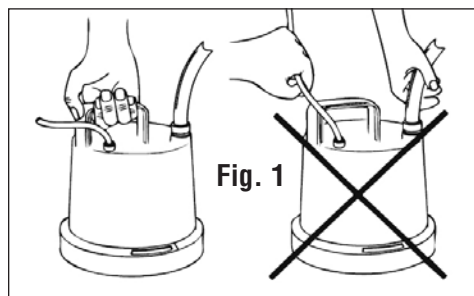


Fig. 1

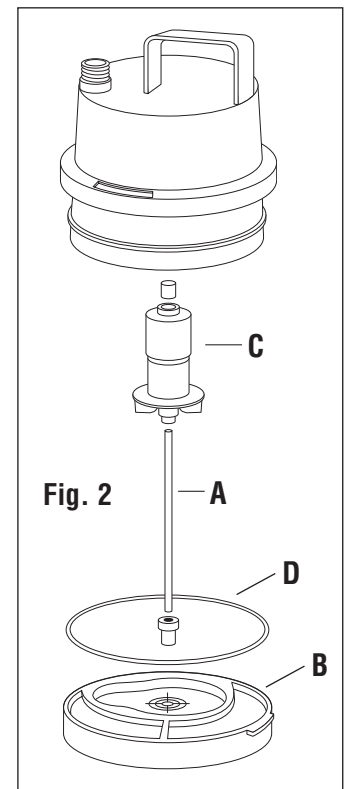


Fig. 2

Replacement Parts

A	R440490	Shaft w/bushings
B	R440488	Bottom cover
C	R440491	Impeller Assembly
D	R440489	"O" Ring



Phone: 800-628-8771

Fax: 800-424-1445

Email: info@lifegardaquatics.com

Web Site: www.lifegardaquatics.com

