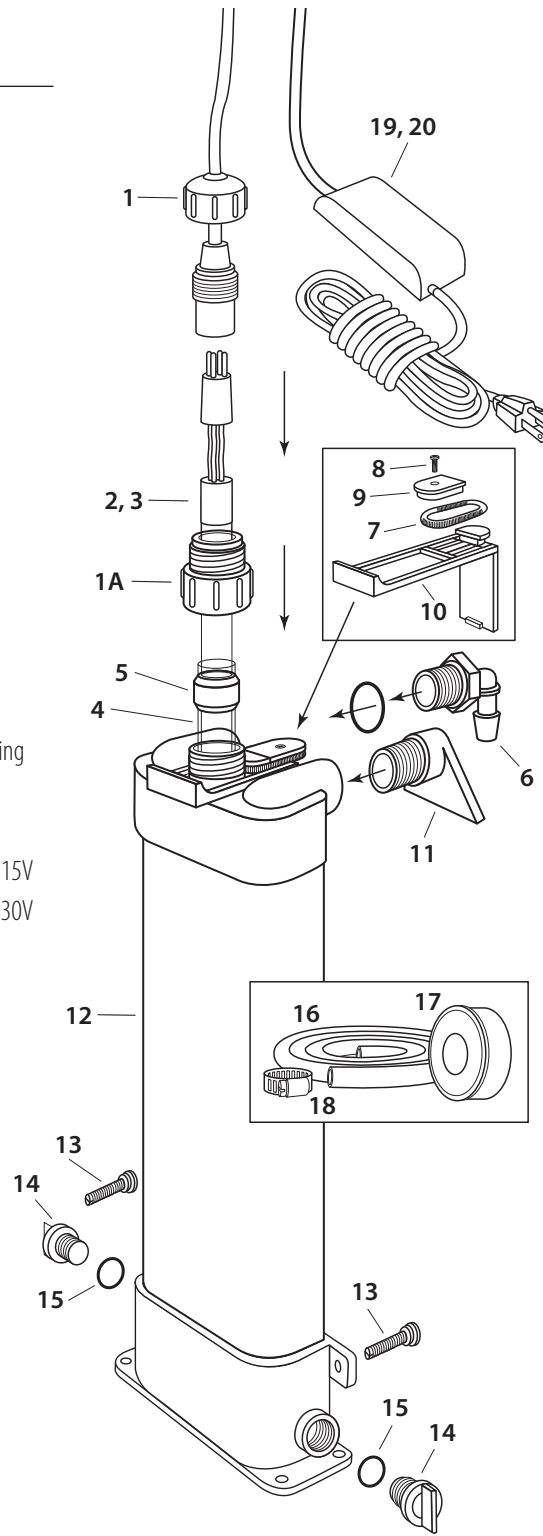
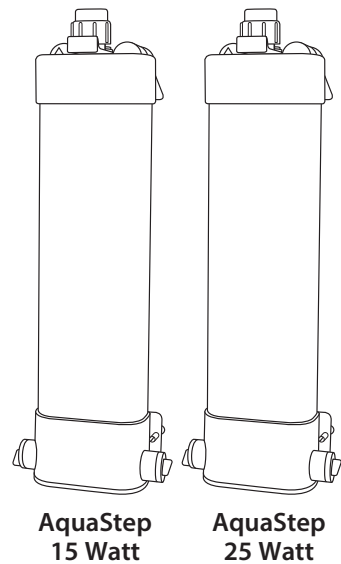


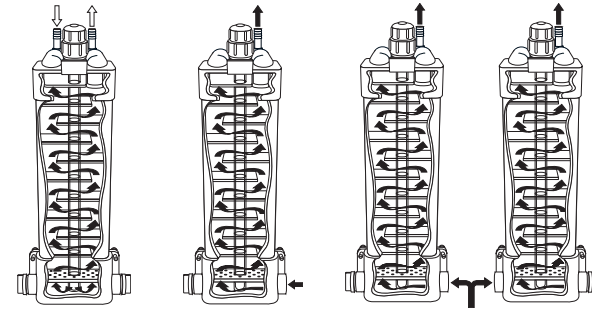
PARTS BREAKDOWN

AquaStep 15W & 25W

ITEM	PART#	QTY.	DESCRIPTION
1.	R440402	1	Quartz Sleeve Cap
1A.	R175108	1	Compression Coupling
2.	R175229DP	1	UV Bulb 15 Watt
3.	R175230DP	1	UV Bulb 25 Watt
4.	R440600	1	Quartz Sleeve
5.	R440401	1	Quartz Sleeve Gasket
6.	R270248	2	3/4" MPT x 1/2" Barb Elbow
7.	R270229	1	Tension Spring
8.	R01045	1	#6 x 1/2" Screw
9.	R270222	1	Tension Retainer
10.	R270242	1	Mounting Bracket
11.	R270244	1	Water Fall Assembly
12.	R440252R	1	Replacement Housing
13.	R36021	2	Adjustment Screw
14.	R270218	2	Plug
15.	R270228	2	O Ring for Plug
16.	R270247	4 ft	1/2" ID x 11/16" OD Valve Tubing
17.	R175163	1	Threaded Seal Tape
18.	R175013	3	Hose Clamp
19.	R440604	1	Ballast Assembly 15/25 Watt 115V
20.	R440606	1	Ballast Assembly 15/25 Watt 230V



Typical AquaStep Flow Set-Ups

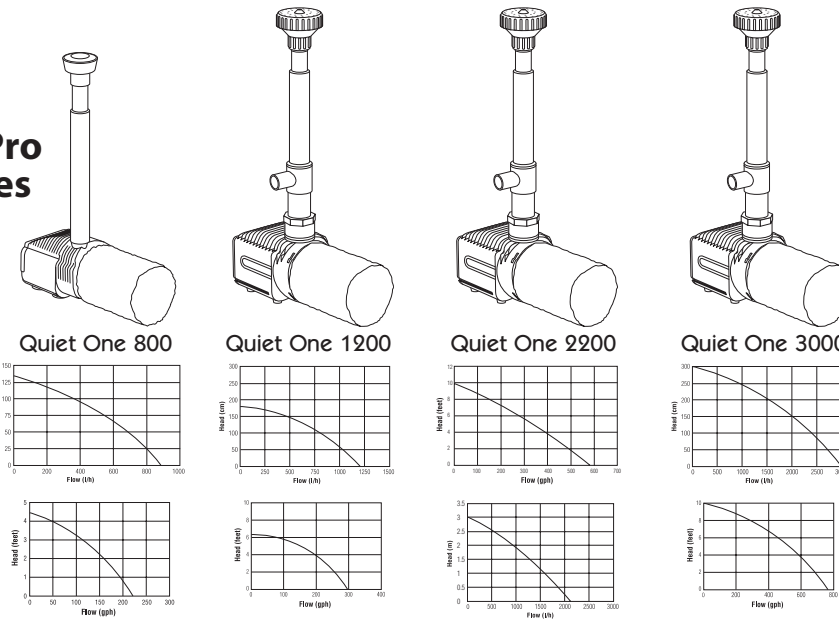


Wattage	Bulb Length	Recommended Pump
AquaStep 15W	15.35"	QuietOne 1200 or 2200
AquaStep 25W	17.83"	QuietOne 2200 or 3000

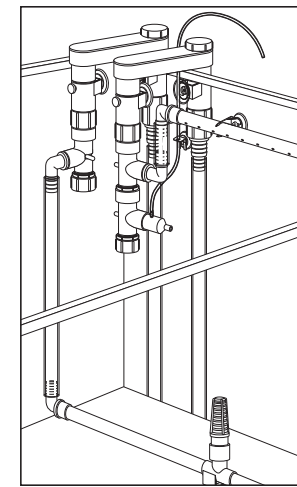
Sizes and Specifications:

Part #	Description	Inlet	Outlet	Ht.	Width	Depth	Flow Rate (gph)	Flow Rate (liters/hr)
R440515	15W UV Sterilizer 115V	3/4"	3/4"	21"	7.5"	3"	450	1703
R440252	25W UV Sterilizer 115V	3/4"	3/4"	23"	7.5"	3"	760	2877
R440508	15W UV Sterilizer 230V	3/4"	3/4"	21"	7.5"	3"	450	1703
R440509	25W UV Sterilizer 230V	3/4"	3/4"	23"	7.5"	3"	760	2877

All Pro Series



800-628-8771 Fax: 800-424-1445
 Email: info@lifegardaquatics.com
 www.lifegardaquatics.com



CustomFlo Water System

INSTRUCTION MANUAL

AQUASTEP PRO

UV Sterilizer
 15 Watt & 25 Watt Models



Initial Set Up

- Screw in plugs on each side of the manifold. Make sure plug "O" rings are seated properly. The bottom inlet ports will not be needed in this type of installation. Wrapping threaded seal tape is recommended. ("O-rings need periodic silicone lubrication).
- Wrap threaded seal tape on the male threads of one 3/4" MPT x 1/2" barb elbow and the waterfall assembly. Wrap each fitting 5-7 times with threaded seal tape. Only one 3/4" MPT x 1/2" barb elbow will be needed for this type of installation.

- Screw in the 3/4" MPT x 1/2" barb elbow into top inlet port. **NOTE** the inlet port is located in front of the UV light indicator.

- Screw in the waterfall assembly into the outlet port located at the top of the AquaStep PRO.

- Slide the rubber gasket onto the hard quartz sleeve so that the edge of the sleeve is visible as shown below (Fig. F).

- Slide the quartz sleeve into the AquaStep PRO unit.

- Screw on the quartz sleeve cap. Hand tighten only.

- Take out the bulb and ballast from the box. Connect the bulb to the ballast. Note: there is only one way to connect the bulb to the ballast. The four pin

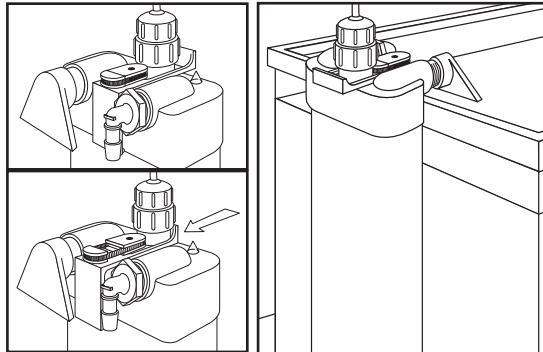
connector on the bulb needs to match the four holes on the ballast end.

DO NOT use excessive force or this may damage the parts.

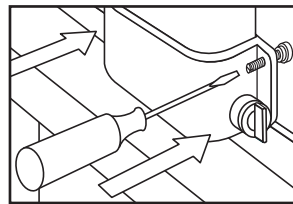
- I. Slide the bulb into the quartz sleeve through the quartz cap. Gently push the bulb all the way in.
- J. Screw on the moisture resistant cap of the ballast connection onto the quartz sleeve cap. Hand tighten only.
- K. Your AquaStep PRO UV Sterilizer is ready for use.

Side or Back of the Aquarium Installation

A1. Install the AquaStep PRO UV Sterilizer on the side or back of the aquarium by pushing the mounting bracket spring attachment located at the top with your thumb and hang the unit over the edge of the aquarium. It may be necessary to move the triangular portion of the water fall assembly to one side so that the mounting bracket can be pushed far enough to clear the moulding on the top edge of the aquarium.



A2. Make sure the unit is completely level by adjusting the plastic screws located on each side at the bottom of the AquaStep PRO.



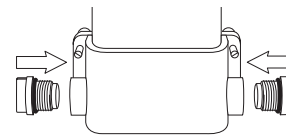
A3. Install the power head pump (not included with the unit) inside the aquarium in the desired location following the instructions of the pump manufacturer.

A4. Attach one end of the 1/2" ID x 11/16" OD flexible tubing to the outlet side of the power head pump.

A5. Attach the other end of the flexible tubing to the 3/4" MPT x 1/2" barb elbow located on the top inlet side of the AquaStep. In most cases the flexible tubing will need to be cut to the proper length.

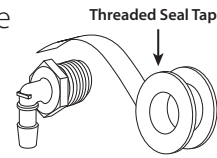
Beside the Aquarium Installation

B1. Place filter on base in desired location next to the aquarium. Make sure the unit is level on the base.



B2. Screw in plugs on each side of the bottom manifold. Make sure plug "O" rings are seated properly. The bottom inlet ports will not be needed in this type of installation.

B3. Wrap threaded seal tape on the male threads of the two 3/4" MPT x 1/2" barb elbow fittings provided. Wrap each fitting 5-7 times with the tape.



B4. Screw one 3/4" MPT x 1/2" barb elbow fitting into top inlet port. Screw in the elbow so that the barb portion is pointing straight up vertically. Screw in the other elbow fitting into the outlet port located at the top of the unit and align the barb portion straight up vertically.

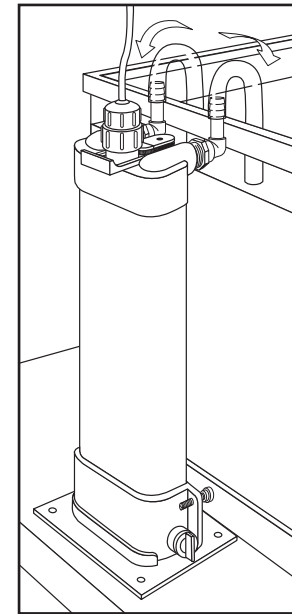
B5. Install the power head pump (not included with unit) inside the aquarium in the desired location following the instructions of the pump manufacturer.

B6. Attach one end 1/2" ID x 11/16" OD flexible tubing on the outlet side of the power head pump.

B7. Attach the other end of the flexible tubing to the 3/4" MPT x barb elbow located at the top inlet side of the AquaStep PRO. Cut the tubing to the proper length. Attach a hose clamp and tighten accordingly.

B8. Attach the rest of the tubing to the 3/4" MPT x 1/2" barb elbow located at the top outlet side of the AquaStep PRO. Attach a hose clamp and tighten accordingly.

B9. Place the other end of the flexible tubing up and over the side or back of the aquarium so that the water returns to the aquarium and agitates the surface to aerate the system. In some cases it may be desirable to connect the flexible tubing to a rigid plastic "U" or "J" tube (not supplied in this unit) that hangs on the aquarium. Attach a hose clamp to the rigid tube and tighten accordingly. We recommend using the CustomFlo Water System in place of the "U" or "J" tube for professional looking installations.



C. Hanging on a Wet/Dry Filter Installation

C1. Carefully follow all steps in section A (Side or Back of the Aquarium).

D. Underneath Aquarium with a Canister Filter

D1. Place AquaStep PRO on base in desired location next to the canister filter. Position the AquaStep PRO so that it can be plumbed on the outlet side of the canister filter.

D2. Screw in the plugs on each side of the bottom manifold. Make sure the plug "O" rings are seated properly. In most cases, the bottom inlet ports will not be needed in this type of installation. In steps D2 and D4, refer to installation drawings in section #B (Beside the Aquarium).

D3. Wrap threaded seal tape on the male threads of the two 3/4" MPT x 1/2" barb elbow fittings provided. Wrap each fitting 5-7 times with the tape.

D4. Screw one 3/4" MPT x 1/2" barb elbow fitting into the top inlet port. Screw in the other elbow fitting into the outlet port located at the top of the unit.

D5. Turn off the valve on the outlet side of the canister filter and completely drain the flexible tubing on the outlet side of the canister filter. In most cases, it will be necessary to remove the "U" or "J" tube from the back of the aquarium. Cut the flexible tubing on the outlet side of the canister filter and plumb in line a by-pass valve and "tee" which will divert only a portion of the water from the canister filter and into the inlet port of the top manifold. Attach hose clamp and tighten accordingly.

D6. Attach one end of the 1/2" ID x 11/16" OD flexible tubing to the 3/4" MPT x 1/2" barb elbow located at the top outlet side of the filter. Attach hose clamp and tighten accordingly.

D7. Place the other end of the tubing up and over the side or back of the aquarium so that the water returns to the aquarium and agitates the surface to aerate the system. In some cases, flexible tubing can be attached to a rigid plastic "U" or "J" tube (not supplied in this unit) that hangs on the aquarium. Attach hose clamp to the rigid tube and tighten accordingly. We recommend using the CustomFlo Water System in place of the "U" or "J" tube for professional looking installations.

D8. Adjust the by-pass valve to direct appropriate amount of water into the UV. See Size and Specification Chart for proper flow rate.

